

art. **22290.00.82**



- 10 pezzi
- 10 units

Adattabilità ai sistemi Adaptability to the systems

> GULF EXTRUSION
CW & GS series

> AL JABER EXTRUSION
CW & GS series

> ALUPCO
50 SG series

> EMIRATES EXTRUSION
INNOVATION series

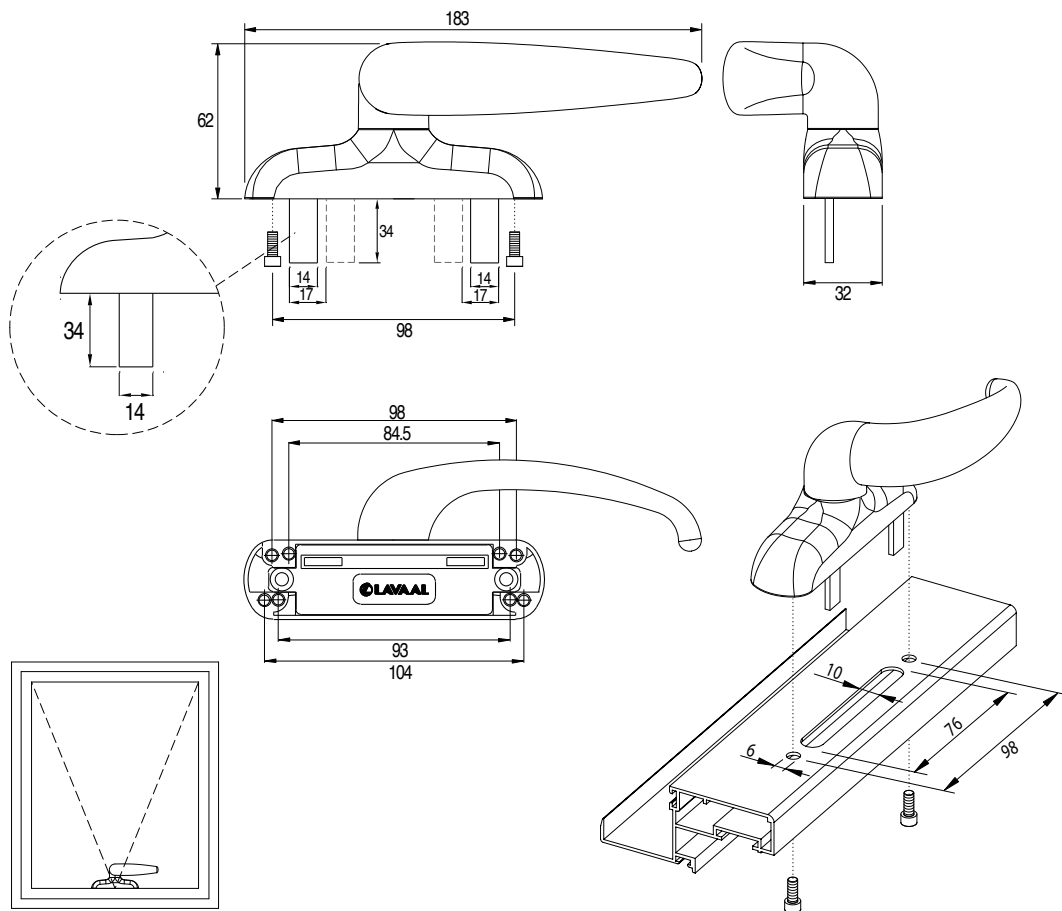
> GUTMANN
CW & GS series

> SCHUCO
CW & GS series

> VISTAWALL
CW & GS series

> ESAS 700
CW & GS series

> REEM EMIRATES
CW & GS series



LAVAAL
international

art. **22290.00.83**



- 10 pezzi
- 10 units

Adattabilità ai sistemi Adaptability to the systems

> GULF EXTRUSION
CW & GS series

> AL JABER EXTRUSION
CW & GS series

> ALUPCO
50 SG series

> EMIRATES EXTRUSION
INNOVATION series

> GUTMANN
CW & GS series

> SCHUCO
CW & GS series

> VISTAWALL
CW & GS series

> ESAS 700
CW & GS series

> REEM EMIRATES
CW & GS series

