

Cremonese Luna con manico disassato

Manico in alluminio pressofuso e cassa in zama. Si differisce dalla cremonese base perchè ha il manico disassato per facilitare la presa visto che deve essere applicata sul traverso inferiore di finestre ad apertura esterna. Può essere fornita destra o sinistra in base alla finestra da realizzare e si utilizza sui nostri sistemi di chiusura articolati

20890.00.00/09030.00.00/09040.00.00.



DOTAZIONI

2 viti TCEI 5MAx10

LUNA casement bolt with offset handle

Die-cast aluminium handle and zamak case. It differs from the basic casement bolt because it has an offset handle for ease of grip since it is to be applied on the lower strut of outward opening windows. It can be supplied RH or LH according to the window and is used with our closing systems art.

20890.00.00/09030.00.00/09040.00.00.

SUPPLIED PARTS

2 TCEI 5MAx10 allen screws

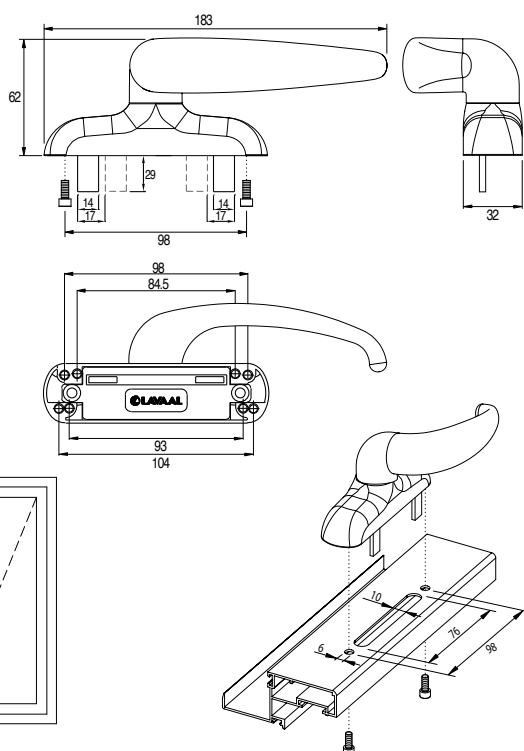
art. **21830.00.82**



- 10 pezzi
- 10 units

Adattabilità ai sistemi Adaptability to the systems

- > GULF EXTRUSION CW & GS series
- > AL JABER EXTRUSION CW & GS series
- > ALUPCO 50 SG series
- > EMIRATES EXTRUSION INNOVATION series
- > GUTMANN CW & GS series
- > SCHUCO CW & GS series
- > VISTAWALL CW & GS series
- > ESAS 700 CW & GS series
- > REEM EMIRATES CW & GS series



art. **21830.00.83**



- 10 pezzi
- 10 units

Adattabilità ai sistemi Adaptability to the systems

- > GULF EXTRUSION CW & GS series
- > AL JABER EXTRUSION CW & GS series
- > ALUPCO 50 SG series
- > EMIRATES EXTRUSION INNOVATION series
- > GUTMANN CW & GS series
- > SCHUCO CW & GS series
- > VISTAWALL CW & GS series
- > ESAS 700 CW & GS series
- > REEM EMIRATES CW & GS series

