

Ribalta "PRISMAtre Evolution" per Camera Europea (Manovra logica)

Il kit comprende la ferramenta base (rinvio, incontri, terminali, ecc.) in pressofuso di zama zincata nera, gruppo cerniere superiore e inferiore in zama e alluminio e cremonese, viteria e perni in acciaio inox. La falsamanovra, anch'essa compresa, è posta nella parte centrale.

DOTAZIONI

schema di montaggio



"PRISMAtre Evolution" kit for tilt-und-turn for C. E. (Logical movement)

This kit contains the basic hardware (drive, keeps, terminals, etc) made from die-cast black galvanized zamak, hinge unit with an upper and a lower part made from zamak and aluminium, cremonese bolt, stainless steel screws and pins.

It is included the incorrect movement safety device, positioned on the central part.

SUPPLIED PARTS

assembly scheme

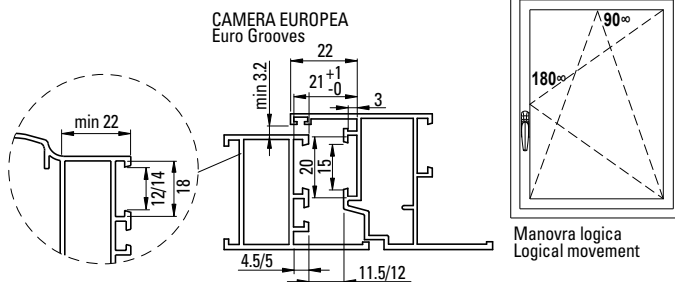
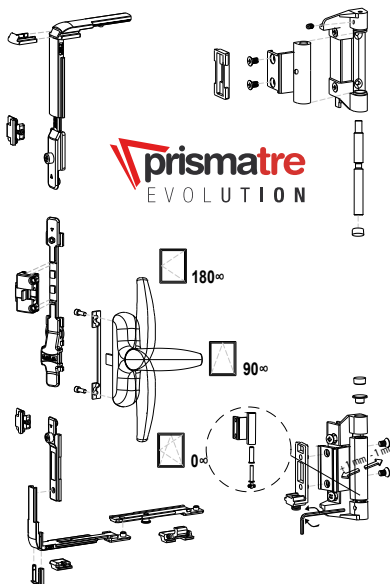
art.21130.00.86



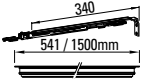
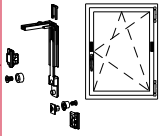

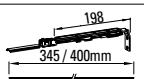

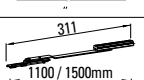
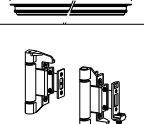
- scatola da 1 kit
- box with 1 kit

Adattabilità ai sistemi Adaptability to the systems

- > ALCAN
Green 45 sormonto, 45/52SP, Keeper 53/60, Keeper 61/68
- > AL SISTEM
Planet 45 / 50TT / 62TT / 72HT
- > ALLCO
Export 40 / 45 / 45TT / 50 / 50TT, K45T, K64T, K70T
- > ALUMEC
Synthesis 45 / 57 / 60TT
- > ALLU SISTEMI
Twin Systems CX450 / CX600 / CX700
- > ALUX SYSTEMS
Shell 65 THS
- > ETA
Start 410 / 510 / 470TT / 560TT / 640TT
- > HYDRO
Break PA52 / PA62 / PA63 / PA70 / PA70S, Bright PA70S, Stopper PG, Stopper PG Style
- > INDINVEST
Gold 400 / 450 / 450TT / 490 / 500 / 600TT
- > METRA
NC 45 int. / 45STH / 55 int. / 65STH / 68STH / 72STH
- > PASSERINI
Maastricht53 / TH60 / TH68 / TH76 / TH16
- > PONZIO
Windstop 45 / 45TT / 45 classic / 55TT / 55TT classic 65TT / 65TT classic
- > PRESAL EXTRUSION
PR50 / PR50TT / PR65TT
- > PROFILATI
Eku 40 / 53 / 53TT / 64TT / 72TT
- > CAMERA EUROPEA (Euro Groove)



Articoli complementari / Complementary articles

 340 541 / 1500mm	20010.00.21 Braccio lungo per ribalta Long arm for tilt und turn	 20420.00.00 Chiusura supplementare verticale Additional vertical lock
 198 401 / 540mm	20020.00.21 Braccio corto per ribalta Short arm for tilt und turn	
 198 345 / 400mm	20030.00.21 Braccio extra corto per ribalta Extra short arm for tilt und turn	 20150.00.00 Catenacci con registrazione anta abbinata Adjustable bolt for double casement
 311 1100 / 1500mm	20040.00.21 Braccio supplementare Extra arm	
	20060.00.00 Coppia cerniere per anta abbinata Kit with hinges for double wings	