

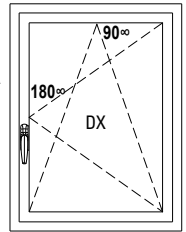
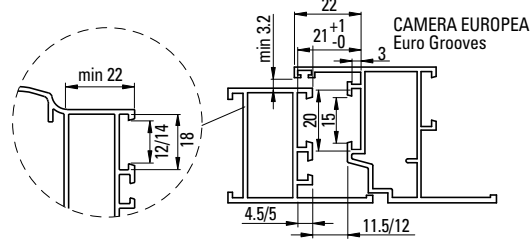
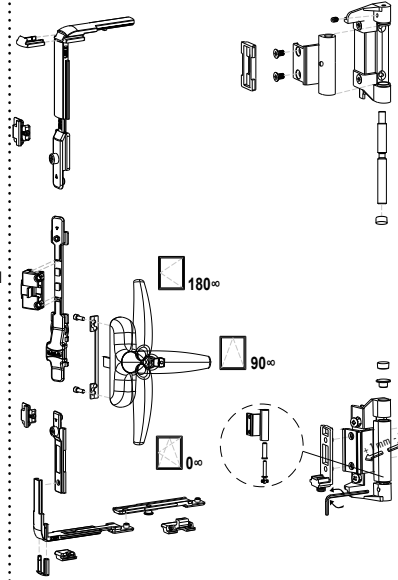
art.21130.00.82



- scatola da 1 kit
- box with 1 kit

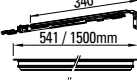
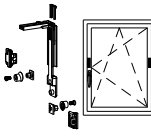
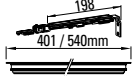
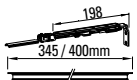

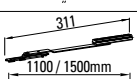
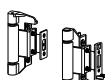
Adattabilità ai sistemi
Adaptability to the systems

- > ALCAN
Green 45 sormonto, 45/52SP, Keeper 53/60,
Keeper 61/68
- > AL SISTEM
Planet 45 / 50TT / 62TT / 72TT
- > ALL.CO
Export 40 / 45 / 45TT / 50 / 50TT, K45T, K64T, K70T
- > ALUMEC
Syntesis 45 / 57 / 60TT
- > ALLU SISTEMI
Twin Systems CX450 / CX600 / CX700
- > ALUX SYSTEMS
Shell 65 THS
- > ETA
Start 410 / 510 / 470TT / 560TT / 640TT
- > HYDRO
Break PA52 / PA62 / PA63 / PA70 / PA70S,
Bright PA70S, Stopper PG, Stopper PG Style
- > INDINVEST
Gold 400 / 450 / 450TT / 490 / 500 / 600TT
- > METRA
NC 45 int. / 45STH / 55 int. / 65STH / 68STH / 72STH
- > PASSERINI
Maastricht53 / TH60 / TH68 / TH76 / TH16
- > PONZIO
Windstop 45 / 45TT / 45 classic / 55TT
55TT classic / 65TT / 65TT classic
- > PRESAL EXTRUSION
PR50 / PR50TT / PR65TT
- > PROFILATI
Eku 40 / 53 / 53TT / 64TT / 72TT
- > CAMERA EUROPEA (Euro Groove)



Manovra logica
Logical movement

Articoli complementari / Complementary articles

	20010.00.21 Braccio lungo per ribalta Long arm for tilt un turn		20370.00.00 Chiusura supplementare verticale Additional vertical lock
	20020.00.21 Braccio corto per ribalta Short arm for tilt un turn		
	20030.00.21 Braccio extra corto per ribalta Extra short arm for tilt un turn		20150.00.00 Catenacci con registrazione anta abbinata Adjustable bolt for double casement
	20040.00.21 Braccio supplementare Extra arm		
	20060.00.00 Coppia cerniere per anta abbinata Kit with hinges for double wings		

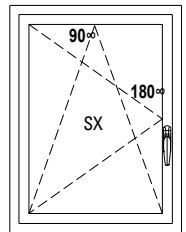
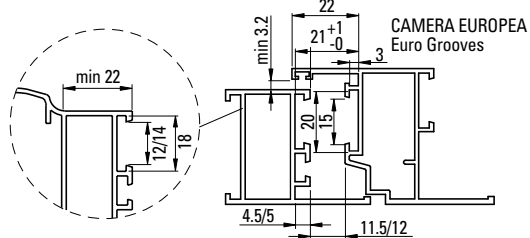
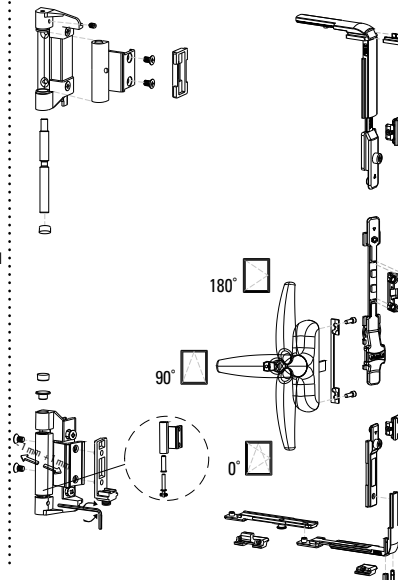
art.21130.00.83



- scatola da 1 kit
- box with 1 kit

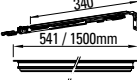
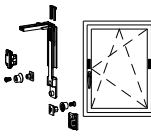
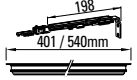
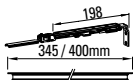

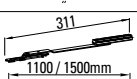
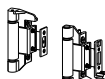
Adattabilità ai sistemi
Adaptability to the systems

- > ALCAN
Green 45 sormonto, 45/52SP, Keeper 53/60,
Keeper 61/68
- > AL SISTEM
Planet 45 / 50TT / 62TT / 72TT
- > ALL.CO
Export 40 / 45 / 45TT / 50 / 50TT, K45T, K64T, K70T
- > ALUMEC
Syntesis 45 / 57 / 60TT
- > ALLU SISTEMI
Twin Systems CX450 / CX600 / CX700
- > ALUX SYSTEMS
Shell 65 THS
- > ETA
Start 410 / 510 / 470TT / 560TT / 640TT
- > HYDRO
Break PA52 / PA62 / PA63 / PA70 / PA70S,
Bright PA70S, Stopper PG, Stopper PG Style
- > INDINVEST
Gold 400 / 450 / 450TT / 490 / 500 / 600TT
- > METRA
NC 45 int. / 45STH / 55 int. / 65STH / 68STH / 72STH
- > PASSERINI
Maastricht53 / TH60 / TH68 / TH76 / TH16
- > PONZIO
Windstop 45 / 45TT / 45 classic / 55TT
55TT classic / 65TT / 65TT classic
- > PRESAL EXTRUSION
PR50 / PR50TT / PR65TT
- > PROFILATI
Eku 40 / 53 / 53TT / 64TT / 72TT
- > CAMERA EUROPEA (Euro Groove)



Manovra logica
Logical movement

Articoli complementari / Complementary articles

	20010.00.21 Braccio lungo per ribalta Long arm for tilt un turn		20370.00.00 Chiusura supplementare verticale Additional vertical lock
	20020.00.21 Braccio corto per ribalta Short arm for tilt un turn		
	20030.00.21 Braccio extra corto per ribalta Extra short arm for tilt un turn		20150.00.00 Catenacci con registrazione anta abbinata Adjustable bolt for double casement
	20040.00.21 Braccio supplementare Extra arm		
	20060.00.00 Coppia cerniere per anta abbinata Kit with hinges for double wings		