

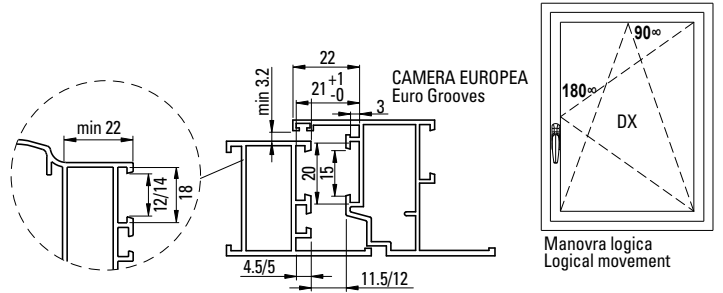
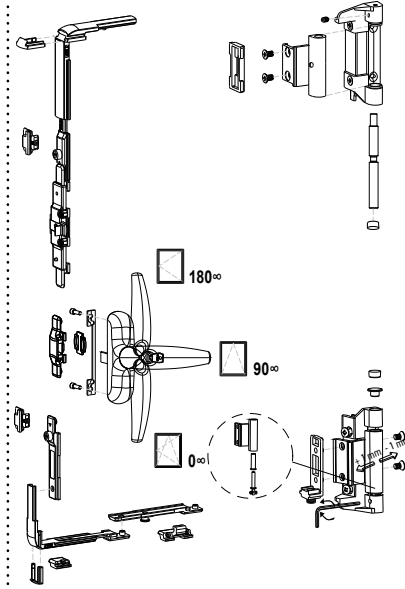
art.21120.00.82




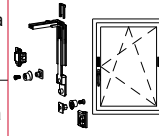



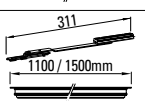
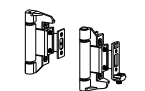
- scatola da 1 kit
- box with 1 kit

Adattabilità ai sistemi
Adaptability to the systems

- > ALCAN
Green 45 sormonto, 45/52SP, Keeper 53/60, Keeper 61/68
- > AL SISTEM
Planet 45 / 50TT / 62TT / 72HT
- > ALLCO
Export 40 / 45 / 45TT / 50 / 50TT, K45T, K64T, K70T
- > ALUMEC
Synthesis 45 / 57 / 60TT
- > ALLU SISTEMI
Twin Systems CX450 / CX600 / CX700
- > ALUX SYSTEMS
Shell 65 THS
- > ETA
Start 410 / 510 / 470TT / 560TT / 640TT
- > HYDR0
Break PA52 / PA62 / PA63 / PA70 / PA70S, Bright PA70S, Stopper PG, Stopper PG Style
- > INDINVEST
Gold 400 / 450 / 450TT / 490 / 500 / 600TT
- > METRA
NC 45 int. / 45STH / 55 int. / 65STH / 68STH / 72STH
- > PASSERINI
Maastricht53 / TH60 / TH68 / TH76 / TH16
- > PONZIO
Windstop 45 / 45TT / 45 classic / 55TT 55TT classic / 65TT / 65TT classic
- > PRESAL EXTRUSION
PR50 / PR50TT / PR65TT
- > PROFILATI
Eku 40 / 53 / 53TT / 64TT / 72TT
- > CAMERA EUROPEA (Euro Groove)



Articoli complementari / Complementary articles

 340 541 / 1500mm	20010.00.21 Braccio lungo per ribalta Long arm for tilt un turn		20370.00.00 Chiusura supplementare verticale Additional vertical lock
 198 401 / 540mm	20020.00.21 Braccio corto per ribalta Short arm for tilt un turn		
 198 345 / 400mm	20030.00.21 Braccio extra corto per ribalta Extra short arm for tilt un turn		20150.00.00 Catenacci con registrazione anta abbinata Adjustable bolt for double casement
 311 1100 / 1500mm	20040.00.21 Braccio supplementare Extra arm		
	20060.00.00 Coppia cerniere per anta abbinata Kit with hinges for double wings		

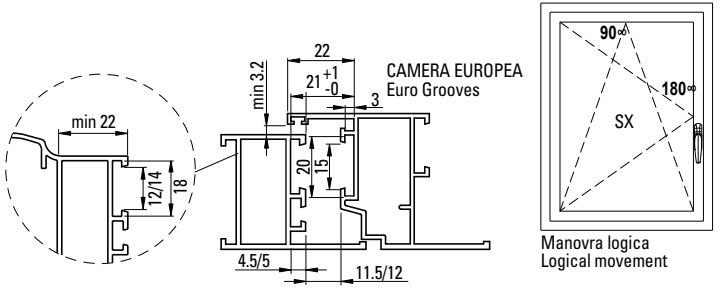
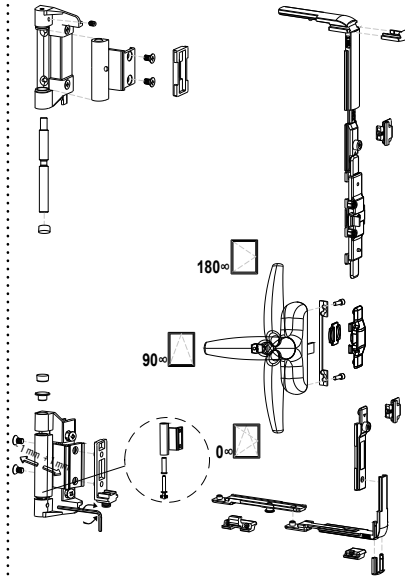
art.21120.00.83




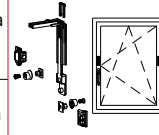

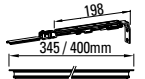

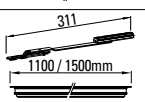
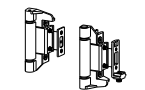
- scatola da 1 kit
- box with 1 kit

Adattabilità ai sistemi
Adaptability to the systems

- > ALCAN
Green 45 sormonto, 45/52SP, Keeper 53/60, Keeper 61/68
- > AL SISTEM
Planet 45 / 50TT / 62TT / 72HT
- > ALLCO
Export 40 / 45 / 45TT / 50 / 50TT, K45T, K64T, K70T
- > ALUMEC
Synthesis 45 / 57 / 60TT
- > ALLU SISTEMI
Twin Systems CX450 / CX600 / CX700
- > ALUX SYSTEMS
Shell 65 THS
- > ETA
Start 410 / 510 / 470TT / 560TT / 640TT
- > HYDR0
Break PA52 / PA62 / PA63 / PA70 / PA70S, Bright PA70S, Stopper PG, Stopper PG Style
- > INDINVEST
Gold 400 / 450 / 450TT / 490 / 500 / 600TT
- > METRA
NC 45 int. / 45STH / 55 int. / 65STH / 68STH / 72STH
- > PASSERINI
Maastricht53 / TH60 / TH68 / TH76 / TH16
- > PONZIO
Windstop 45 / 45TT / 45 classic / 55TT 55TT classic / 65TT / 65TT classic
- > PRESAL EXTRUSION
PR50 / PR50TT / PR65TT
- > PROFILATI
Eku 40 / 53 / 53TT / 64TT / 72TT
- > CAMERA EUROPEA (Euro Groove)



Articoli complementari / Complementary articles

 340 541 / 1500mm	20010.00.21 Braccio lungo per ribalta Long arm for tilt un turn		20370.00.00 Chiusura supplementare verticale Additional vertical lock
 198 401 / 540mm	20020.00.21 Braccio corto per ribalta Short arm for tilt un turn		
 198 345 / 400mm	20030.00.21 Braccio extra corto per ribalta Extra short arm for tilt un turn		20150.00.00 Catenacci con registrazione anta abbinata Adjustable bolt for double casement
 311 1100 / 1500mm	20040.00.21 Braccio supplementare Extra arm		
	20060.00.00 Coppia cerniere per anta abbinata Kit with hinges for double wings		